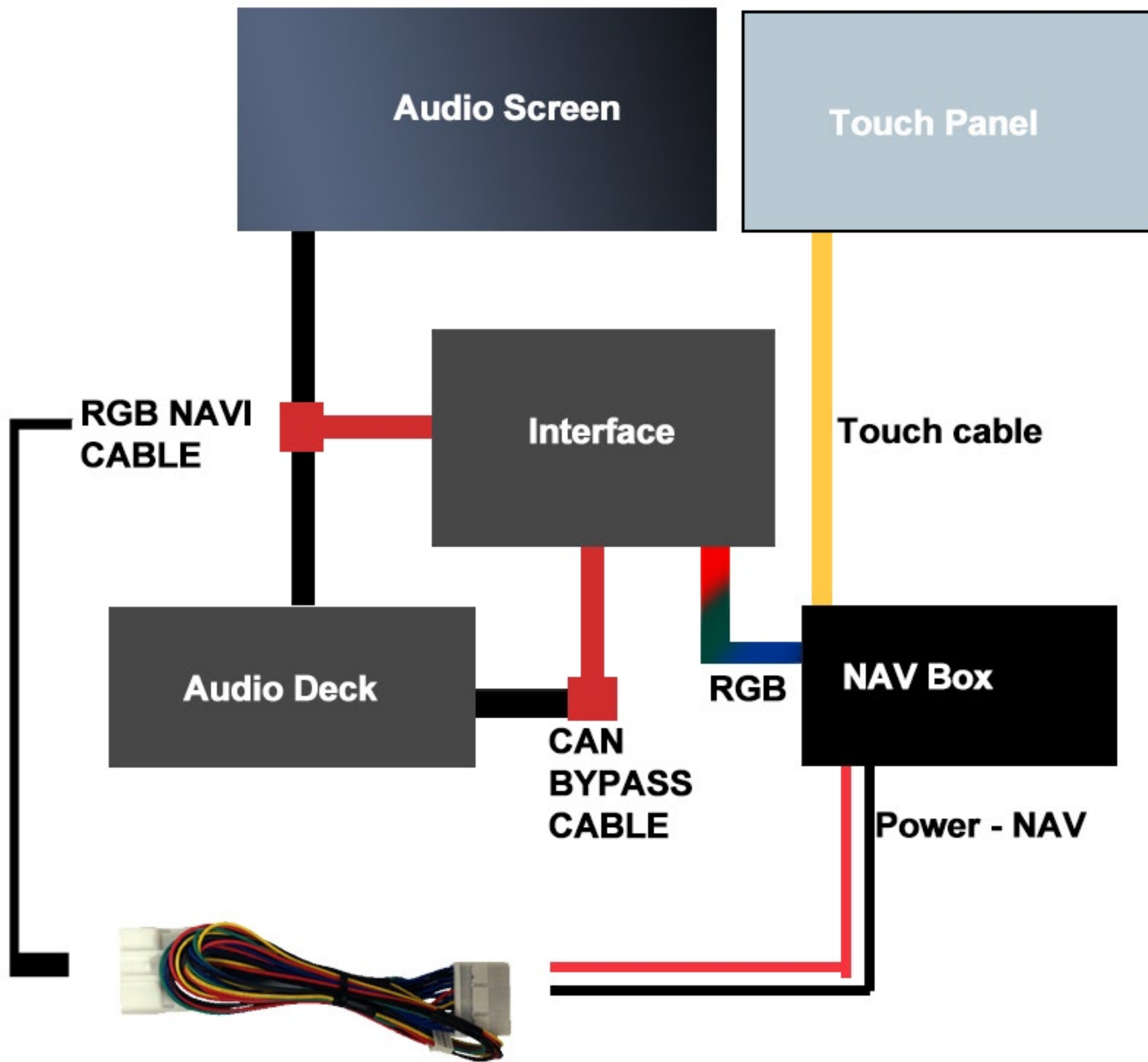


# NISSAN INTEGRATED NAVIGATION INSTALATION OVERVIEW



Navi Power cable (6 Pin) **Red** -> connect it to '**Yellow**' from RGB Navi Cable  
Navi Power cable **Black** -> connect it o '**Black**' from RGB Navi Cable



# NISSAN - INTEGRATED NAVIGATION INSTALLATION



INFINITI FX35



MURANO & PATHFINDER



NISSAN ELGRAND (E62)



NISSAN PATROL

DIP SW 1: ON: Skipping RGB Mode  
OFF: RGB Display (Nav)

DIP SW 2~6 : Not Assigned  
DIP SW 7&8 OFF : Infiniti FX35  
DIP SW 7&8 ON: Nissan PATROL  
DIP SW 7 OFF 8 ON : Nissan ELGRAND  
DIP SW 7 ON 8 OFF : Nissan MURANO & PATHFINDER

## 1. Open the Audio monitor



Pull out the trim in front of the screen



Remove bolts



Remove control panel trim



Pull out panel trim (do not disconnect any wires)



Remove bolts those holding Air Con trim



Pull out Air Con trim



Remove those 2 bolts, that holding bottom panel trim



Pull out bottom panel (Do not disconnect any wires)





Remove 4 bolts those holding audio & monitor (the bracket)



Remove the bracket



Under the audio, remove those bolts that holding audio deck.



Pull out Audio deck and disconnect Main / CAN cable & RGB Cable



Pull out the Main cable (24Pin)



Conect provided bypas CAN cable to audio deck's Main cable



CAN Cable

From bypass cable, conect Can port (2Pin) to the Interface box.



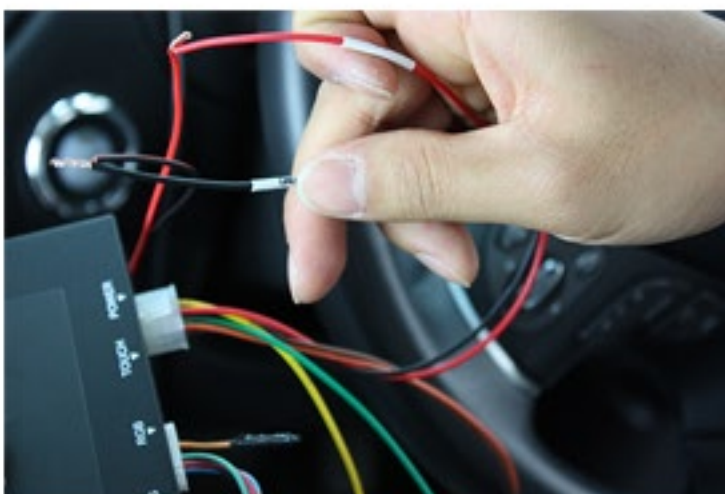
Do the same with 24Pin RGB cable to back of the **monitor**. Both 24 Pin & 32 Pin cable will be connected as Bypass between audio deck & Monitor



Connect provided RGB cable between Interface & NAV boxes



From NAV Power cable (6pin), connect NAV Red to RGB (from 24pin main cable) Yellow and NAV Black to RGB Black



From NAV power cable (6pin). connect Nav Yellow to marked wire \*Use test light to confirm the power.



### 3. Touch Panel Installation



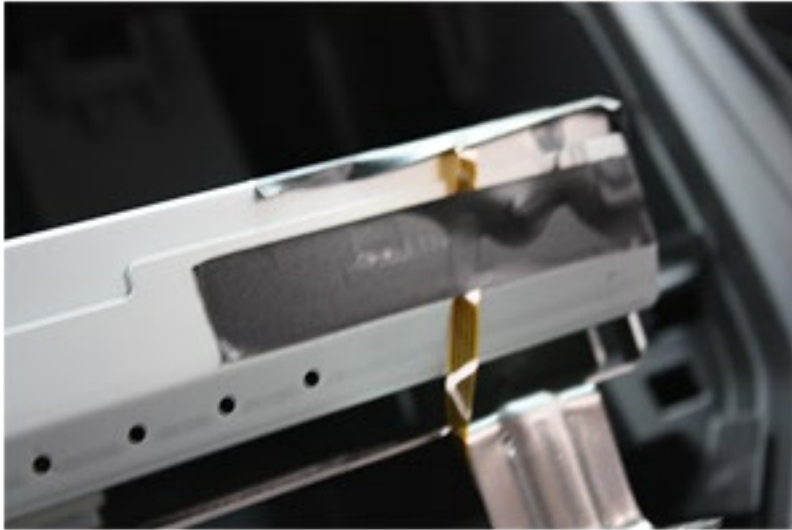
Check the dimension of the screen



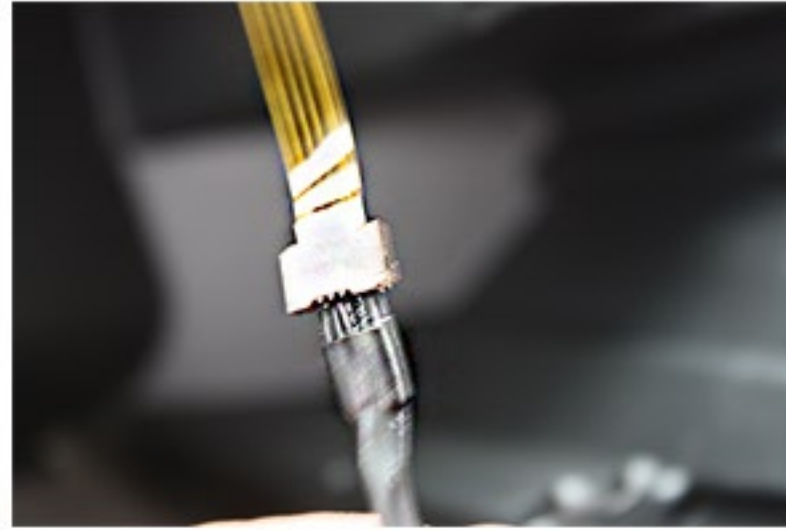
Once the panel has modified to the screen size put it over the screen.  
Make sure Touch Film faces top.



Double check the size and fitting.



Tape the touch film to the monitor.



Connect it to the touch cable and connect it direct to the NAV box



Tape the socket to the monitor.

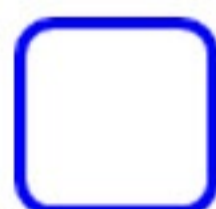


DIP SW for NAV Box:

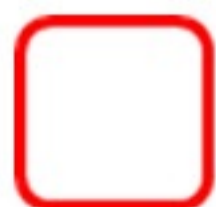
1,2,4 must be OFF (Down) all the time.

3 Must be ON (Up) all the time





Return to Audio



Mode change to Nav (Press and hold 1 sec)



3 second Audio display then back to Nav