

INF-GVIF PAS

NISSAN / INFINITI GVIF AUDIO Integrated Multimedia Interface



Spec

2 X A/V Input

* Auxiliary A/V gnder is optinal

1X RGB / GVIF

Input (For navigation system output)

Compatible Car List

Nissan R52 Pathfinder
Nissan Y62 Patrol
with Touch Screen display 8".

Infiniti from 2010 to Current.
Nissan E52 Elgrand 2011 - 2015



COMPONENTS



POWER CABLE



OSD PROGRAM BOARD CABLE



VIDEO CABLE



GPS BOX & ITS COMPONENTS.
MAY differ to depends on which product
You've purchased.

DIP SWITCH SETUP



Everytime the DIP Switch has been adjusted, **Please disconnect POWER /CAN Connector** from the Interface and reconnect.

1. COMPATIBLE WITH

1)HOW TO SET T S/W MODE [(ON,DOWN) 0 : / (OFF,UP) 1 :]



PIN	FUNCTION	DIP S/W Selection
1	RGB(=NAVI) MUTE	ON : Skipping RGB Mode OFF : RGB Display
2	AV1(=DVB-T) MUTE	ON : Skipping AV1 OFF : AV1 Display
3	AV2(=DVD) MUTE	ON : Skipping AV2 OFF : AV2 Display
4	RGB(=MHL) MUTE	ON : Skipping MHL Mode OFF : MHL Display
5	NC	
6	CAR SEL	Right Picture.
7		
8		

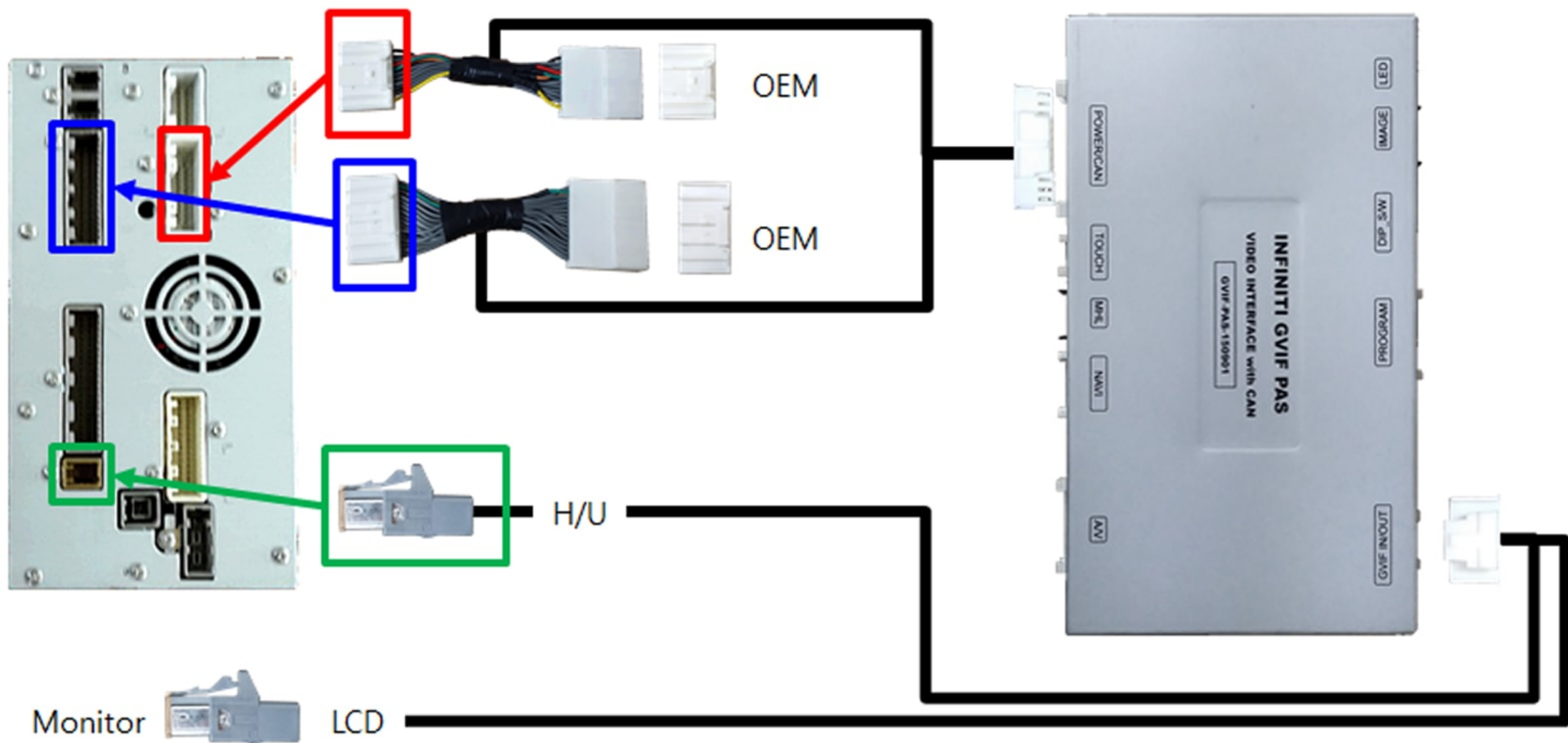
For example - Navigation Installation DIP Switch:



- Most of Nissan vehicles with High resolution & Touch (800 x 480, 8")

WIRING DIAGRAM

Between Interface and Headunit / Monitor



WIRING DIAGRAM

Connection to GPS / AV BOX



7 Pin
Analog RGB Input

4 Pin
Resistive Touch Input

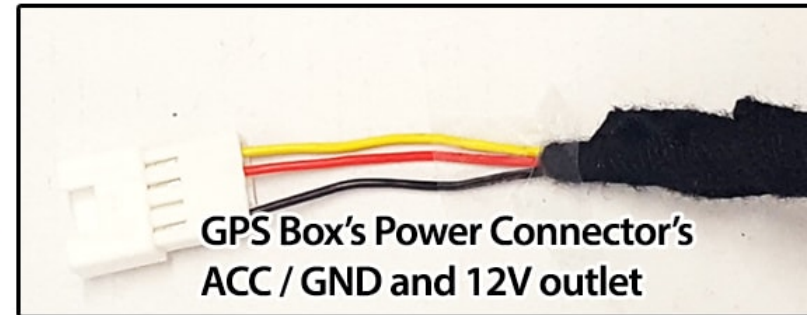
Main Power / CAN Loom
Provides Power (Red, 2nd Pin) /
Battery (Yellow, 13th Pin)
and Ground (Black, 24th Pin)



GPS Box's 7 Pin RGB Male connector



GPS Box's 4 Pin Touch Male connector



GPS Box's Power Connector's
ACC / GND and 12V outlet

OSD Programming - After Installation is almost finished.



MENU

Turn OSD Setup On / Off

SEL

Item Selection & Value Selection

UP

Item Selection & Selected Value Increase

DOWN

Item Selection & Selected Value Decrease

MENU	Config		NAVI
Config	NAVI-RGB	KD900(WVGA)	
Option	NAVI-AV	Default	
Image	DVD	ELT-980XU Slim	
Screen	DVB-T(IMB)	ELT-DVBT20	
Parking	BlackBox	Default	

- Connect OSD Remote connector to the 'PROGRAM' port of Interface.

Once setting is finished, disconnect the OSD Remote.

Select Config - > Select NAVI - RGB - Select KD900 / FN900D